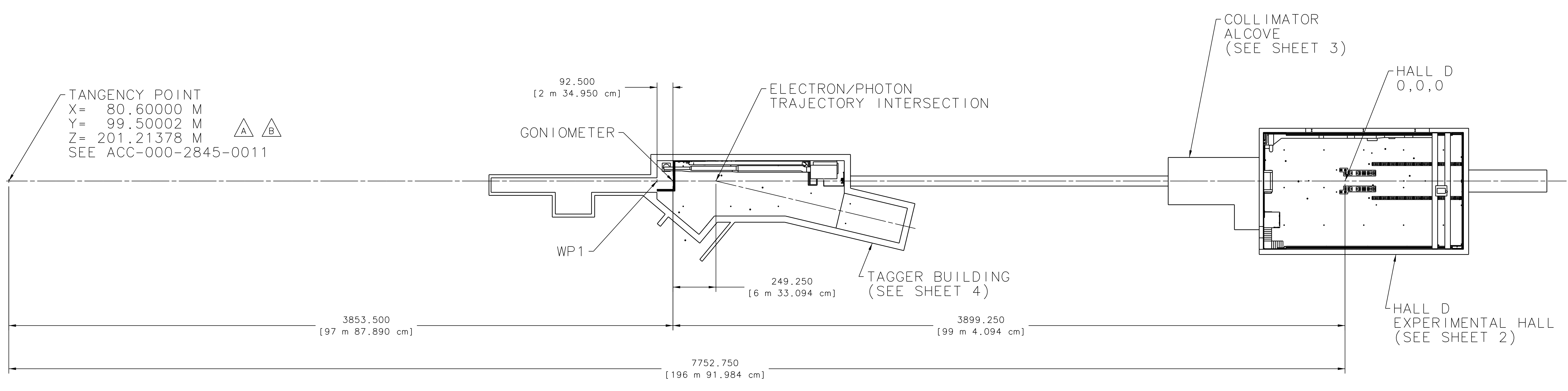
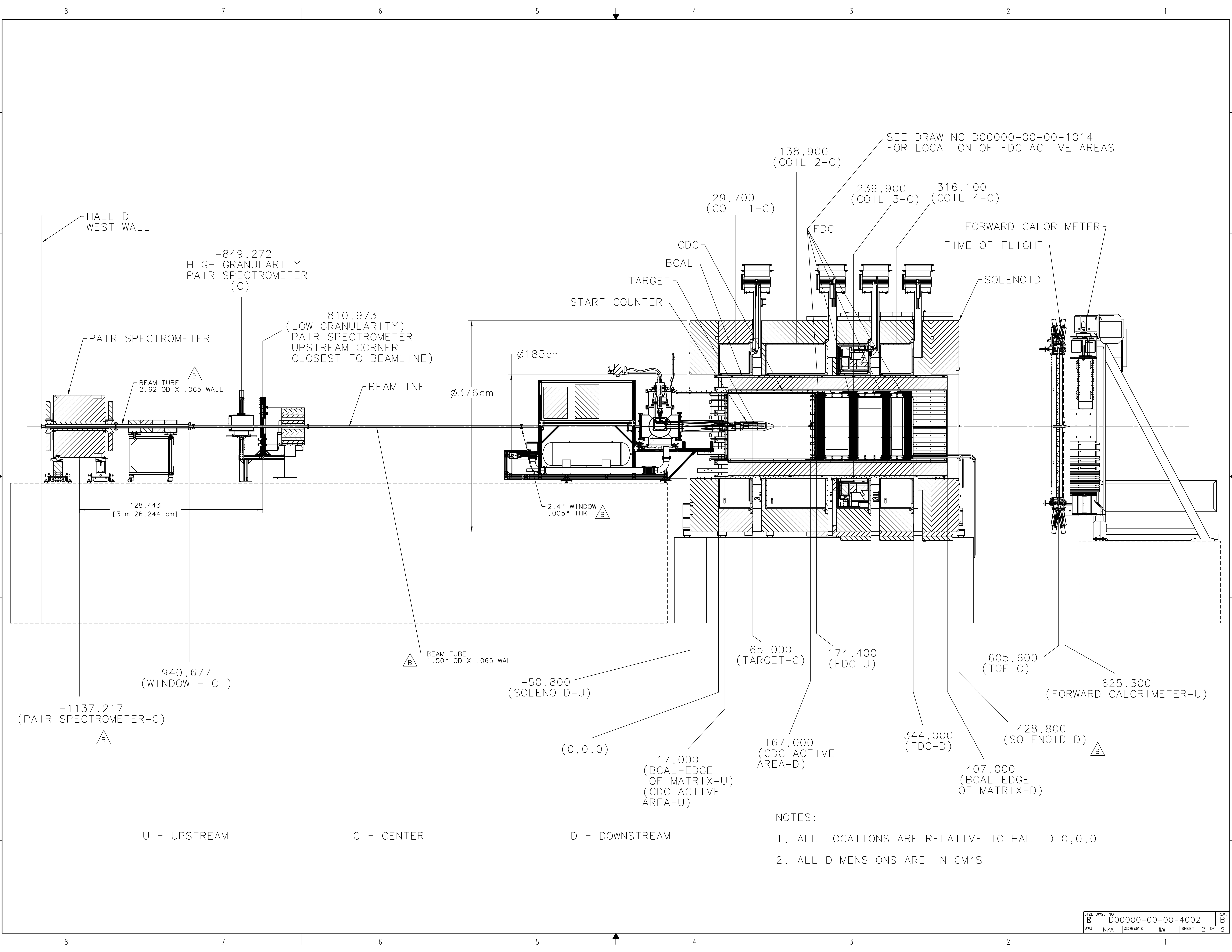


REVISION HISTORY				
ZONE	REV	DESCRIPTION	DATE	APPROVED
3B 7E SH15	A	ADDED SHEET 5. ADDED DIMENSIONS TO TANGENCY POINT. ADDED NOTE 2. RG 18JUN14		C. HUTTON T. WHITLATCH
P1 P2 P3 P4 P5	B	P1 - TANGENCY POINTS DID READ Y=201.2M & Z=99.50002. ADDED NOTE 3. ALL DIMS TO 3 PLACES. P2 - PAIR SPEC LOCATION WAS -1141.3. SOLENOID-D CALLOUT WAS 443.9. ADDED BEAM TUBE WALL THK & WINDOW INFO. ALL DIMS TO 3 PLACES. HIGH & LOW GRANULARITY DIMS CHANGED TO REFLECT NEW CONFIG. P3 - ALL DIMS TO 3 PLACES. ADDED BEAM TUBE WALL THK & WINDOW INFO. ADDED PROFILER. P4 - ALL DIMS TO 3 PLACES. ADDED TUBE WALL THK. ADDED GIRDER A0001 & A0003 CALLOUTS. ADDED 10" PIPE CALLOUT. ADDED GONIOMETER DWG#. ADDED DIM'S. P5 - ADDED VIEW B. ADDED DIM'S.		C. HUTTON T. WHITLATCH



- NOTES:
- ALL LOCATIONS ARE FROM HALL D 0,0,0 AND ARE IN CM'S.
 - FOR INFORMATION ON HALL D TO ACCELERATOR POSITIONS SEE www.jlab.org/MEgroup/12GeVacc.html
 - HALL 0,0,0 POINT IN ACCELERATOR FRAME =
X = 80.6000 M
Y = 104.7000 M
Z = 398.1336 M

EACH SHEET OF MULTI-SHEET DRAWINGS SHALL ALWAYS HAVE THE SAME REVISION LEVEL.			
DOCUMENT CONTROL STAMP	DIM & TOL PER ASME Y14.5, UNLESS OTHERWISE SPECIFIED DIMENSIONS ARE IN INCHES. TOLERANCES ARE: FRACTIONS: ± N/A DECIMAL: ± .01 ANGLES: ± .50° XXX.X ± .005	TRACKING NO. N/A	United States Department of Energy Jefferson Lab Thomas Jefferson National Accelerator Facility Newport News, Virginia
MATERIAL	THIRD ANGLE PROJECTION	APPROVALS	HALL D-GLUEX INSTALLATION EXPERIMENTAL HALL D DETECTOR LOCATION LAYOUT
FINISH: MACHINED SURFACES DEBURR & BREAK ALL SHARP EDGES	UNLESS OTHERWISE NOTED	DRAWN: D. SPELL CHECKED: T. WHITLATCH	DATE: 11MAR14
DO NOT SCALE DRAWING		APPROVED: E. SMITH APPROVED: T. WHITLATCH	SIZE: DWG. NO. D00000-00-00-4002 SCALE: N/A
			REV. B SHEET 1 OF 5



SEE DRAWING D00000-00-00-1014 FOR LOCATION OF FDC ACTIVE AREAS

-849.272
HIGH GRANULARITY
PAIR SPECTROMETER
(C)

-810.973
(LOW GRANULARITY)
PAIR SPECTROMETER
UPSTREAM CORNER
CLOSEST TO BEAMLINE

BEAM TUBE
2.62 OD X .065 WALL

128.443
[3 m 26.244 cm]

-940.677
(WINDOW - C)

-1137.217
(PAIR SPECTROMETER-C)

U = UPSTREAM

C = CENTER

D = DOWNSTREAM

START COUNTER

∅185cm

∅376cm

2.4" WINDOW
.005" THK

BEAM TUBE
1.50" OD X .065 WALL

-50.800
(SOLENOID-U)

(0,0,0)

17.000
(BCAL-EDGE
OF MATRIX-U)
(CDC ACTIVE
AREA-U)

65.000
(TARGET-C)

167.000
(CDC ACTIVE
AREA-D)

29.700
(COIL 1-C)

138.900
(COIL 2-C)

FDC

174.400
(FDC-U)

344.000
(FDC-D)

239.900
(COIL 3-C)

316.100
(COIL 4-C)

FORWARD CALORIMETER
TIME OF FLIGHT

605.600
(TOF-C)

428.800
(SOLENOID-D)

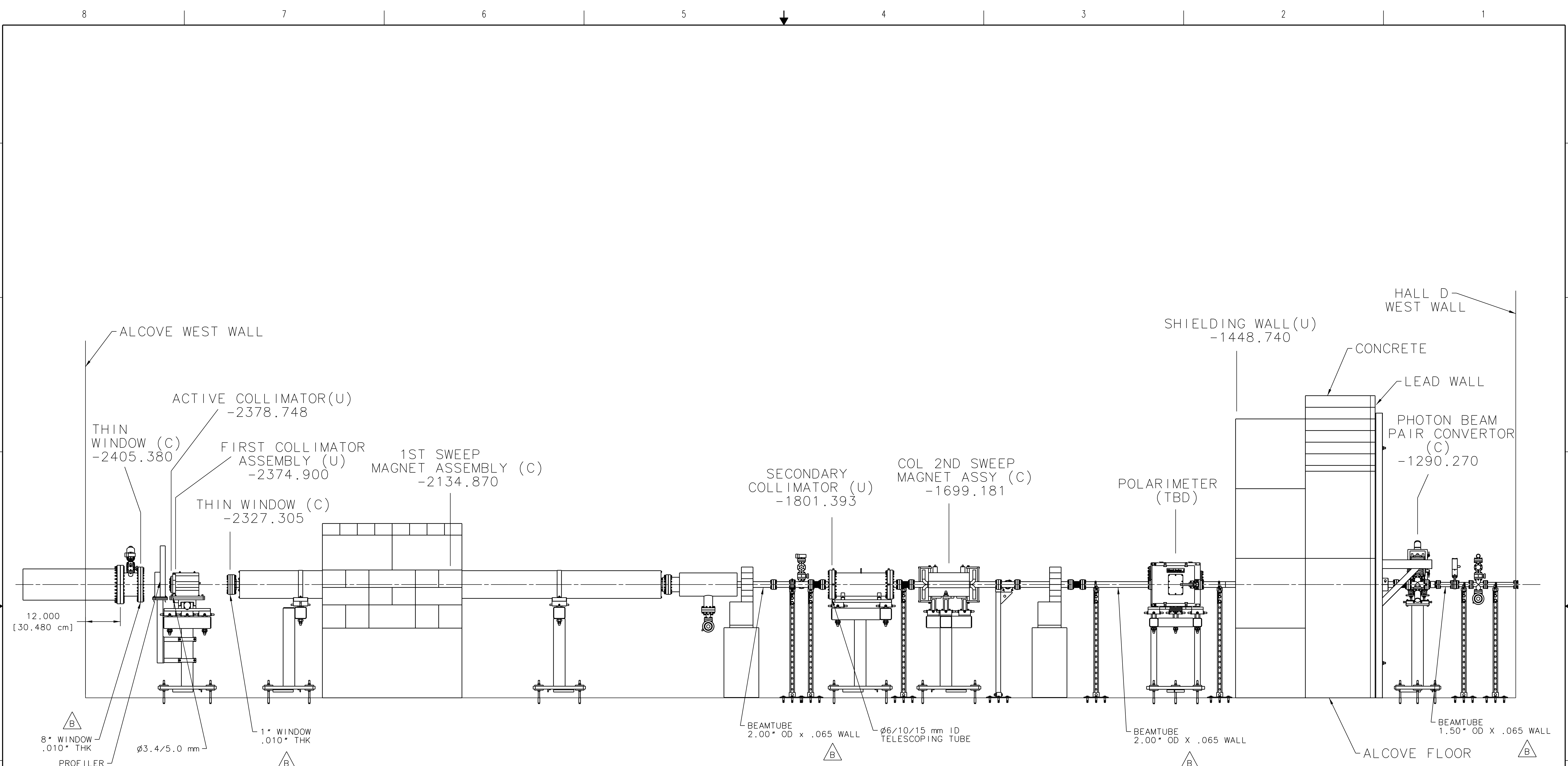
407.000
(BCAL-EDGE
OF MATRIX-D)

625.300
(FORWARD CALORIMETER-U)

NOTES:

1. ALL LOCATIONS ARE RELATIVE TO HALL D 0,0,0
2. ALL DIMENSIONS ARE IN CM'S

SIZE	DWG. NO.	REV.
N/A	D00000-00-00-4002	B
SCALE	USED OR ASSY NO.	SHEET
N/A	N/A	2 OF 5



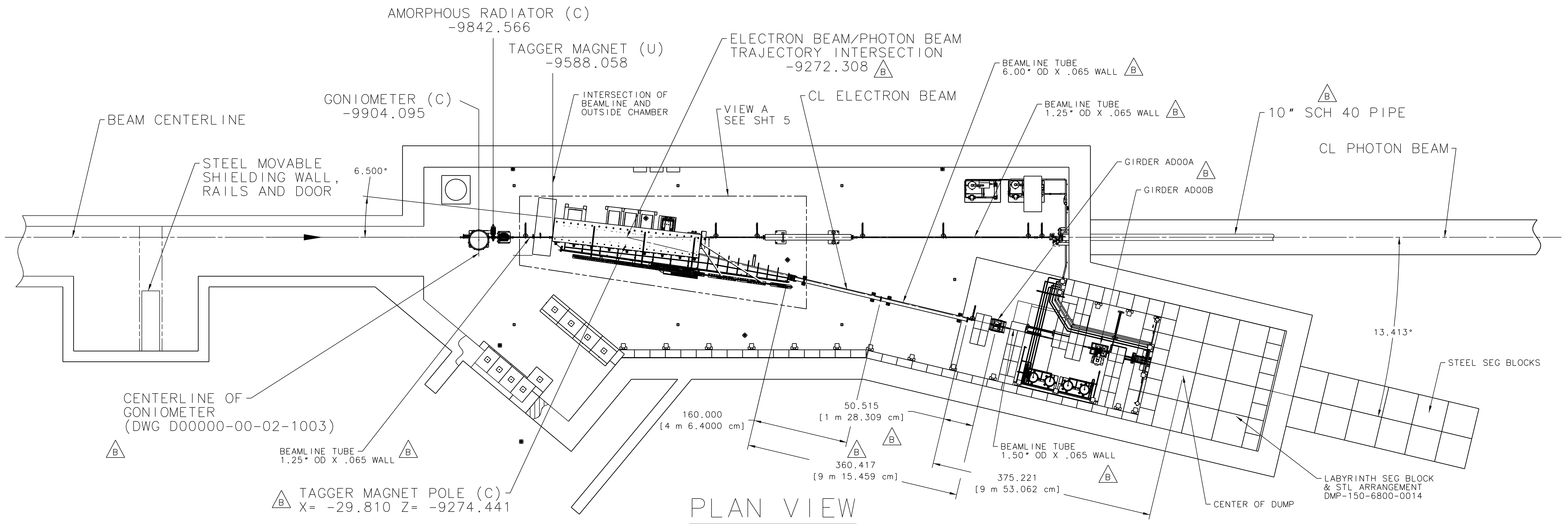
COLLIMATOR ALCOVE

U = UPSTREAM C = CENTER D = DOWNSTREAM

NOTES:
 1. ALL LOCATIONS ARE FROM HALL D 0,0,0 AND ARE IN CM'S.

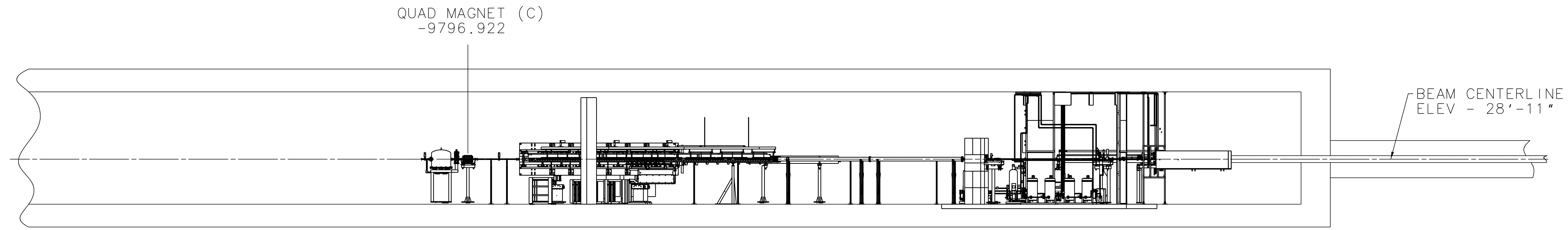
SIZE	DWG. NO.	REV.
E	D00000-00-00-4002	B
SCALE	1/4" = 1'-0"	SHEET 3 OF 5

8 7 6 5 4 3 2 1



PLAN VIEW

U - UPSTREAM C - CENTER D - DOWNSTREAM



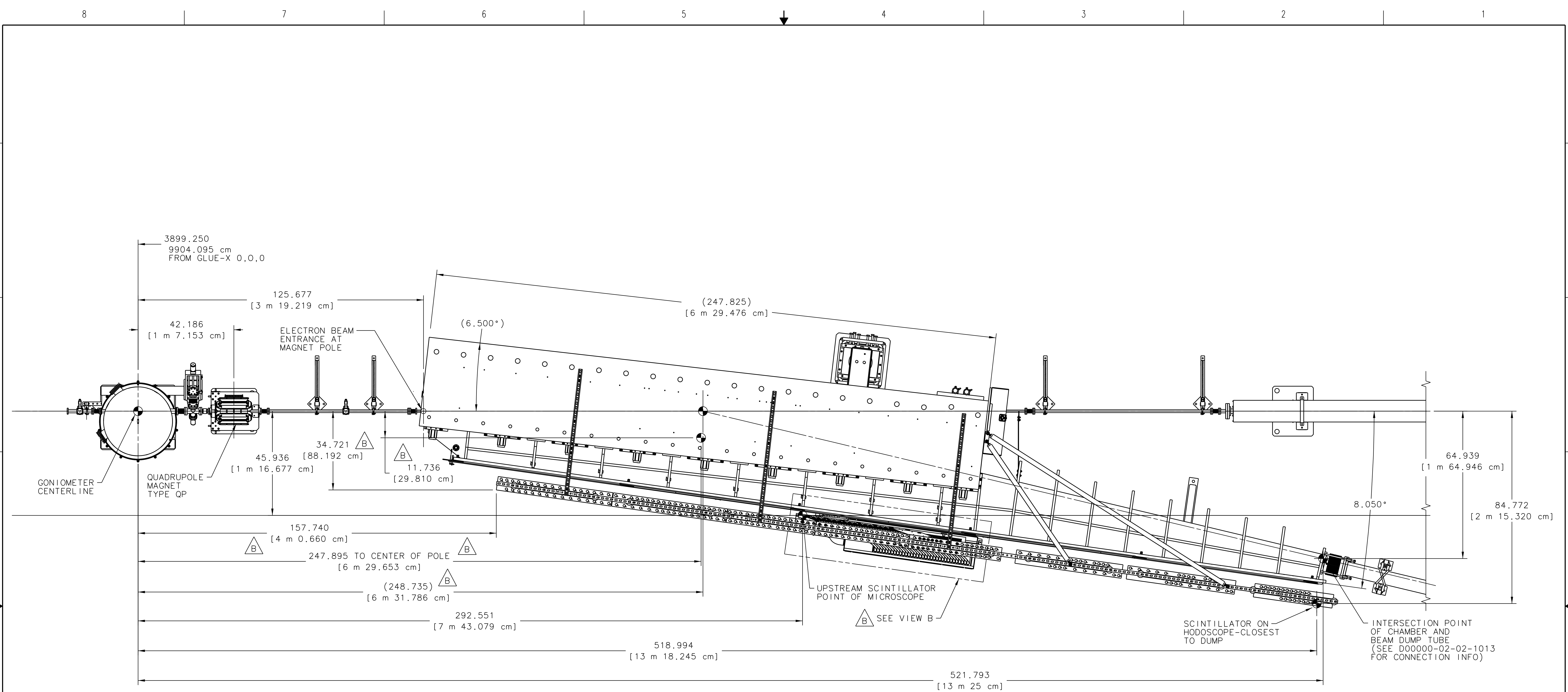
ELEVATION VIEW

SEG BLOCKS REMOVED FOR CLARITY

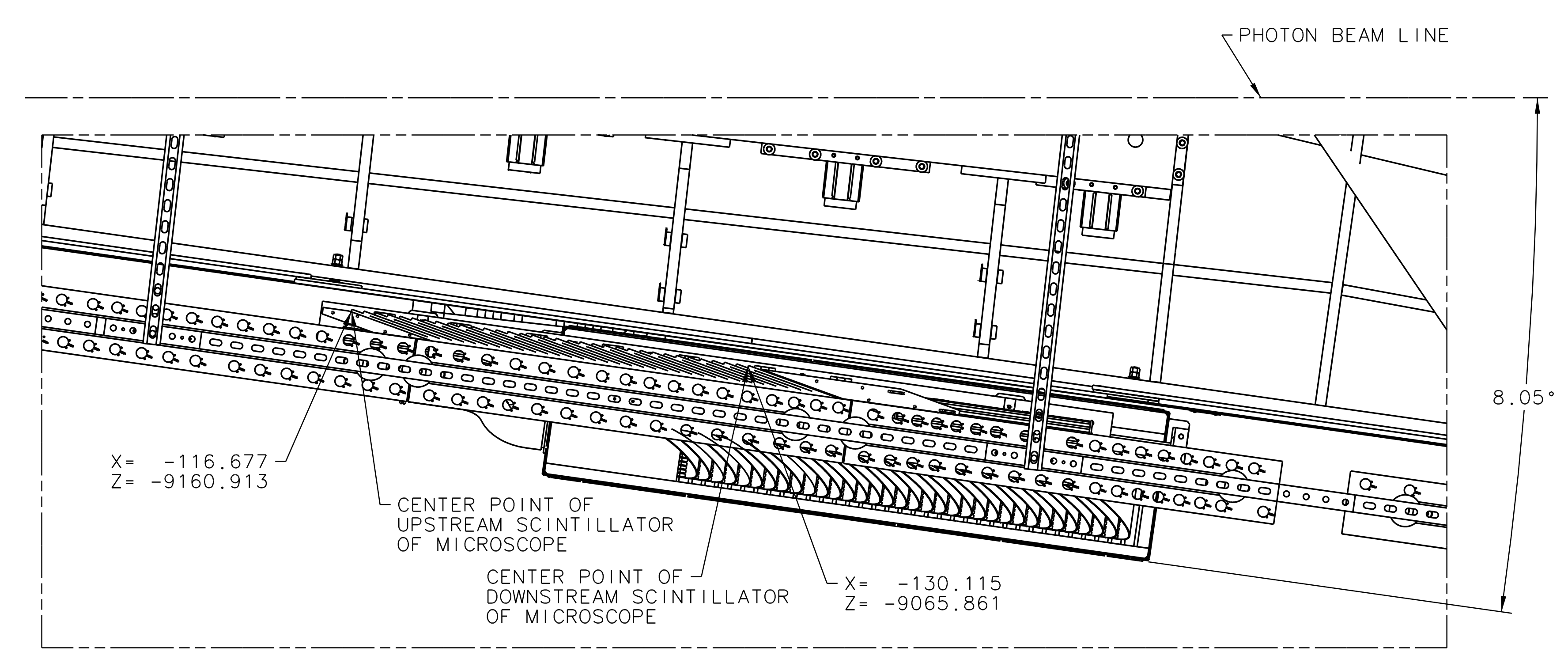
- NOTES:
 1. ALL LOCATIONS ARE FROM HALL D 0,0,0 AND ARE IN CM'S.

SIZE	DWG. NO.	REV.
E	D00000-00-00-4002	B
SCALE	1/8" = 1'-0"	SHEET 4 OF 5

8 7 6 5 4 3 2 1



VIEW A
FROM SHT 4
SCALE: 1/16



VIEW B
SCALE: 1/8

SIZE	DWG. NO.	REV.
E	D00000-00-00-4002	B
SCALE	USED OR ASSY NO.	SHEET
N/A	N/A	5 OF 5