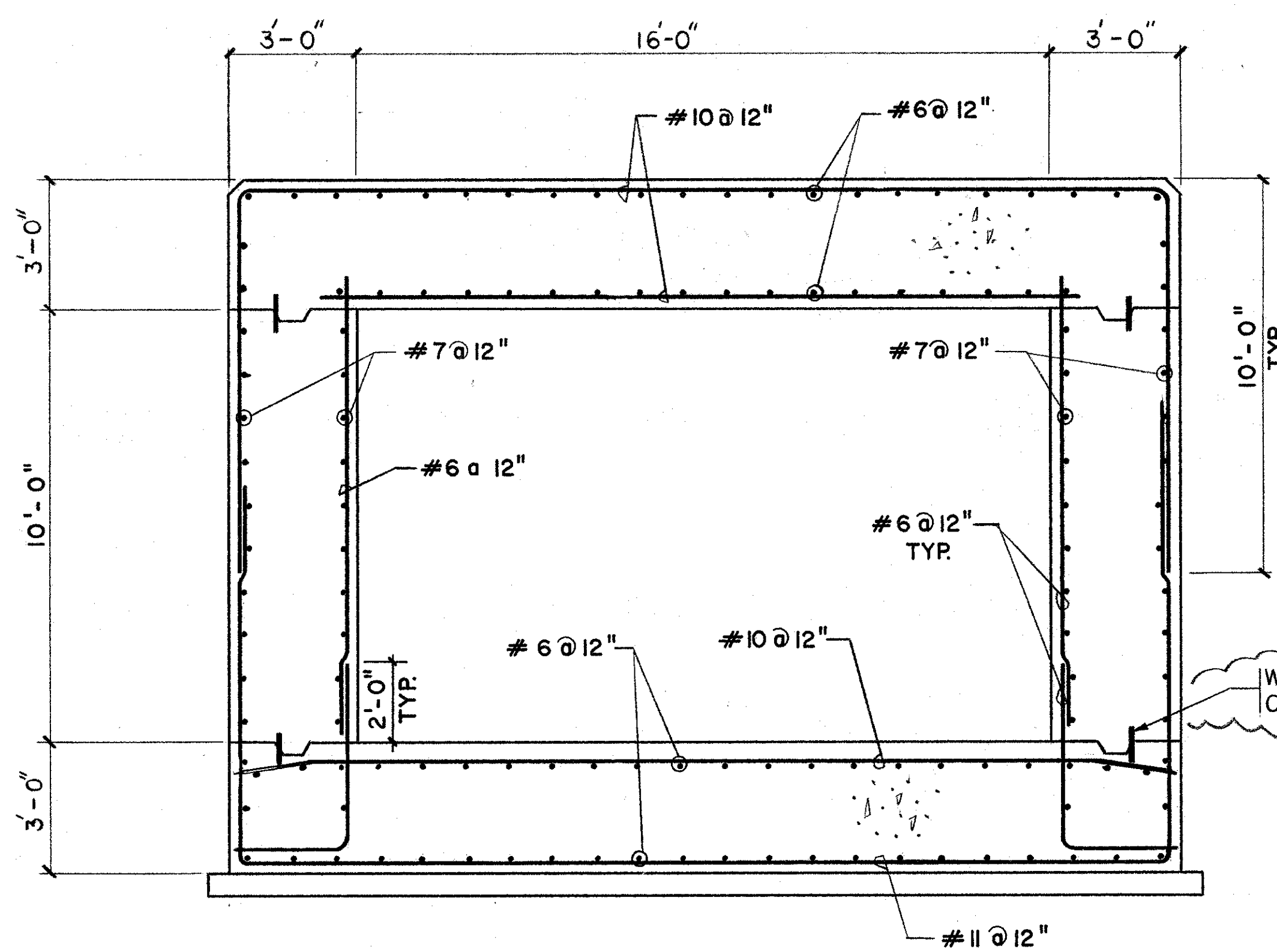
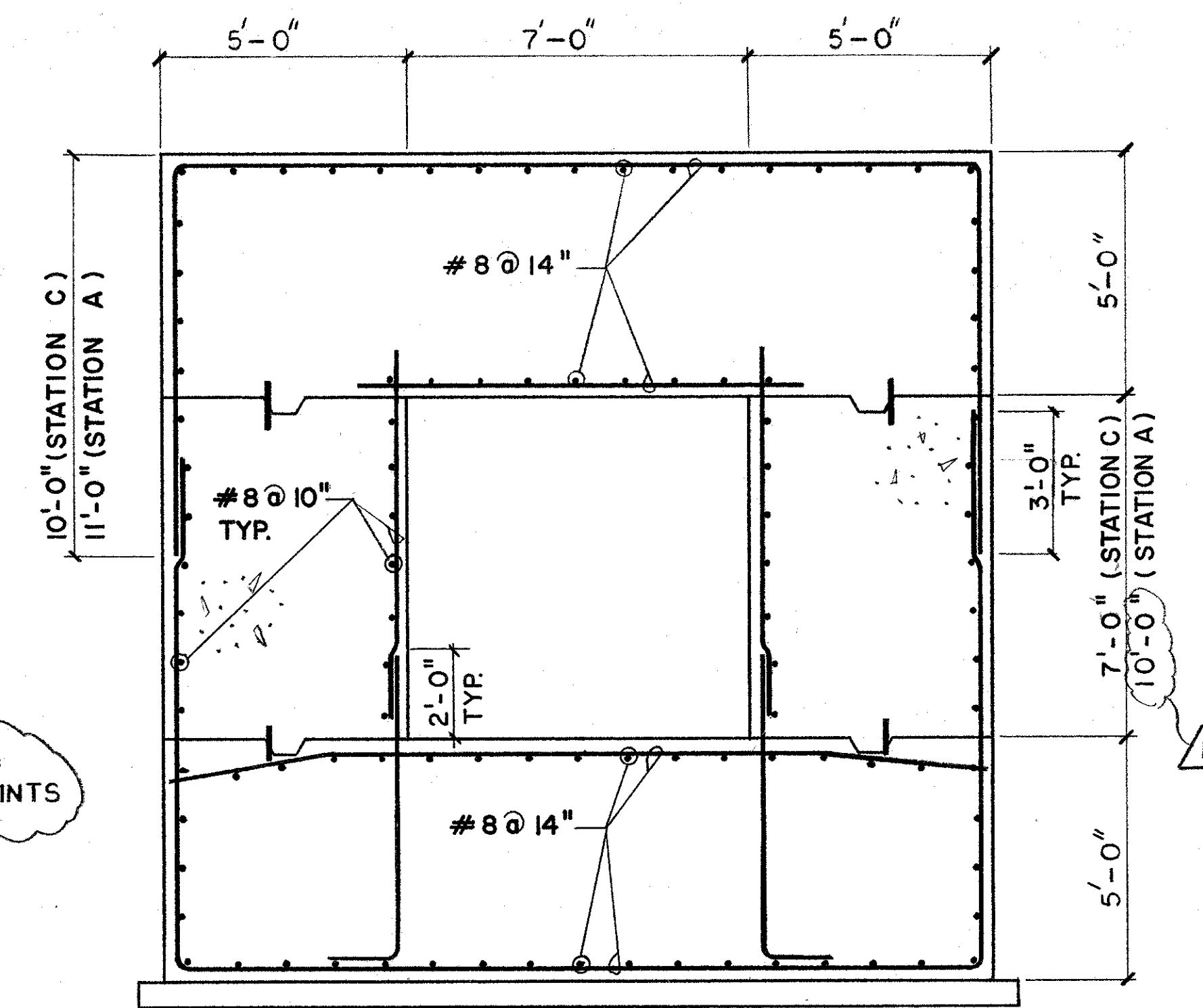


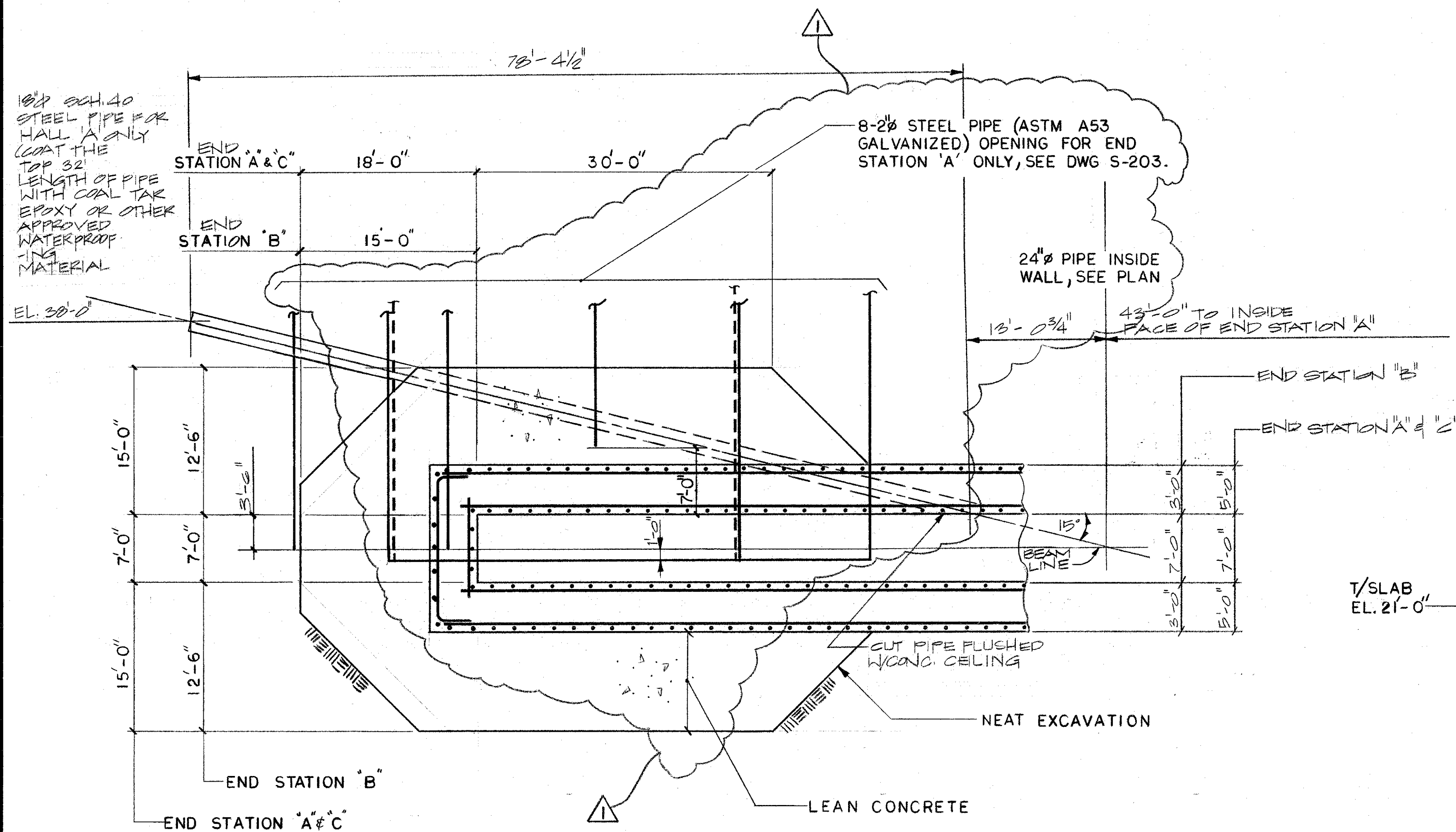
SECTION (END STATION "B")  
S-208/S-214 SCALE: 3/8" = 1'-0"



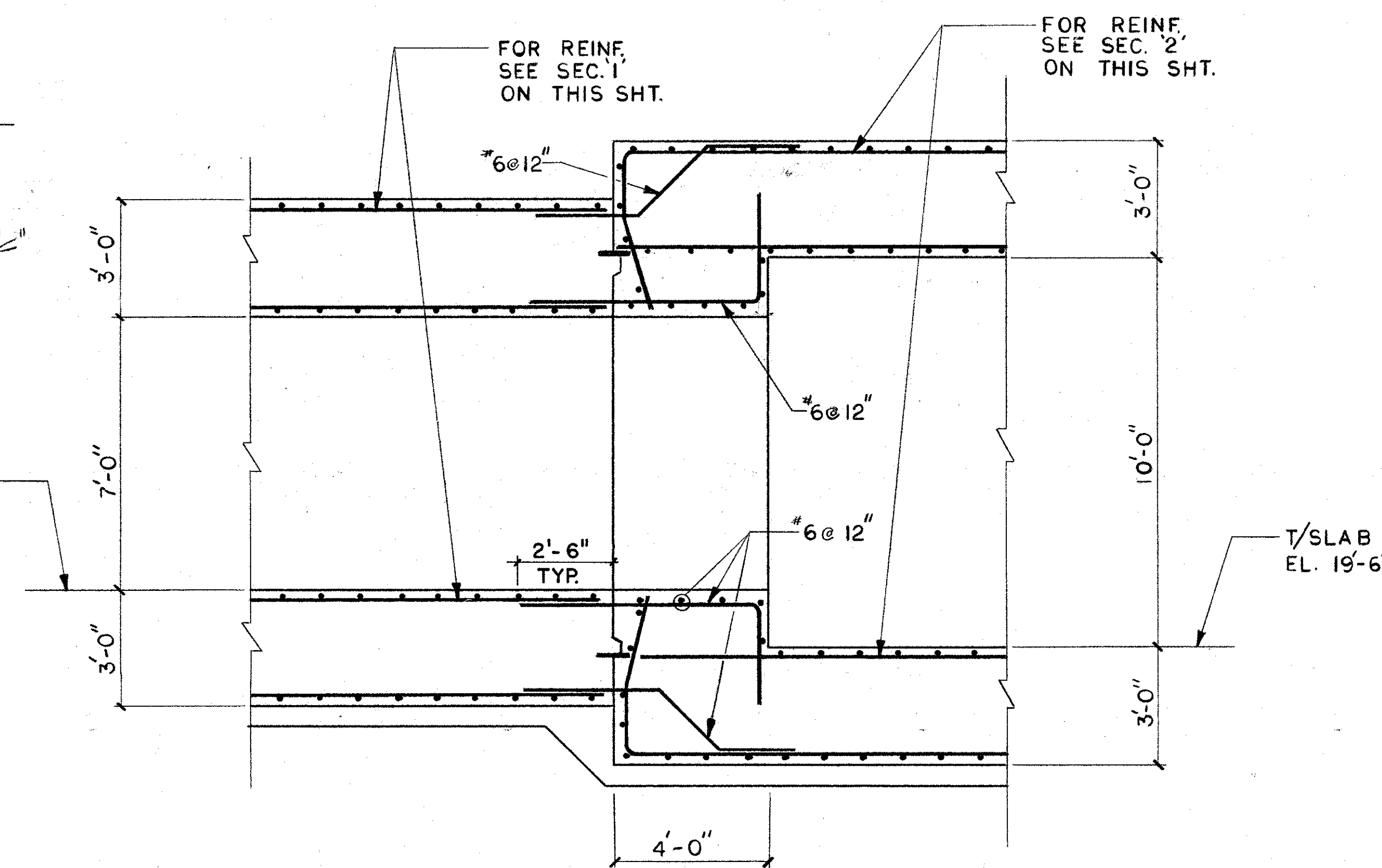
SECTION (END STATION "B")  
S-208/S-214 SCALE: 3/8" = 1'-0"



SECTION (END STATION A & C)  
S-203/S-214 S-212 SCALE: 3/8" = 1'-0"



BEAM DUMP LONGITUDINAL SECTION  
S-203/S-214 S-208/S-212 SCALE: 1/8" = 1'-0" (END STATION 'A', 'B' & 'C')



SECTION (END STATION "B")  
S-208/S-214 SCALE: 3/8" = 1'-0"

GENERAL NOTES

REV	DESCRIPTION	INITIAL	DATE
REV. 2	AS BUILT	<i>gpl</i>	8/2/83
REV. 1	AMENDMENT #1	<i>lcc</i>	01-04-90
REV. 0	ISSUED FOR BID	<i>lcc</i>	11.18.89

**SURA** Southeastern Universities Research Association, Inc.  
12070 Jefferson Avenue  
Newport News, Virginia 23606

**CEBAF** CONTINUOUS ELECTRON BEAM ACCELERATOR FACILITY

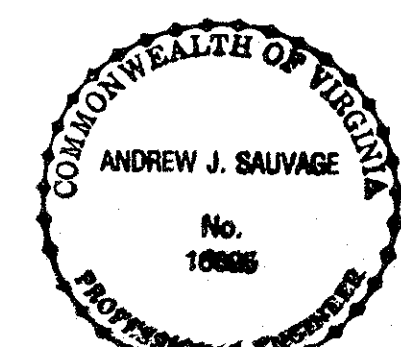
**DMJM** Daniel, Mann, Johnson, & Mendenhall  
Washington, D.C.

DES BY: PJH DATE: 11-15-89 RECOMMENDED BY: [Signature] APPROVED BY: [Signature] SURA  
DRAWN BY: TTP DATE: 11-15-89 DATE: 11/15/89 DATE: [Signature]

FACILITY NAME: END STATIONS  
DRAWING TITLE: UNDERGROUND DESIGN PACKAGE

SCALE: 1/8" = 1'-0" GRAPHIC SCALE SHEET NO. S-214

CEBAF DWG. NO. 89-S-8-0661-041



*Andrew J. Sauvage*

