

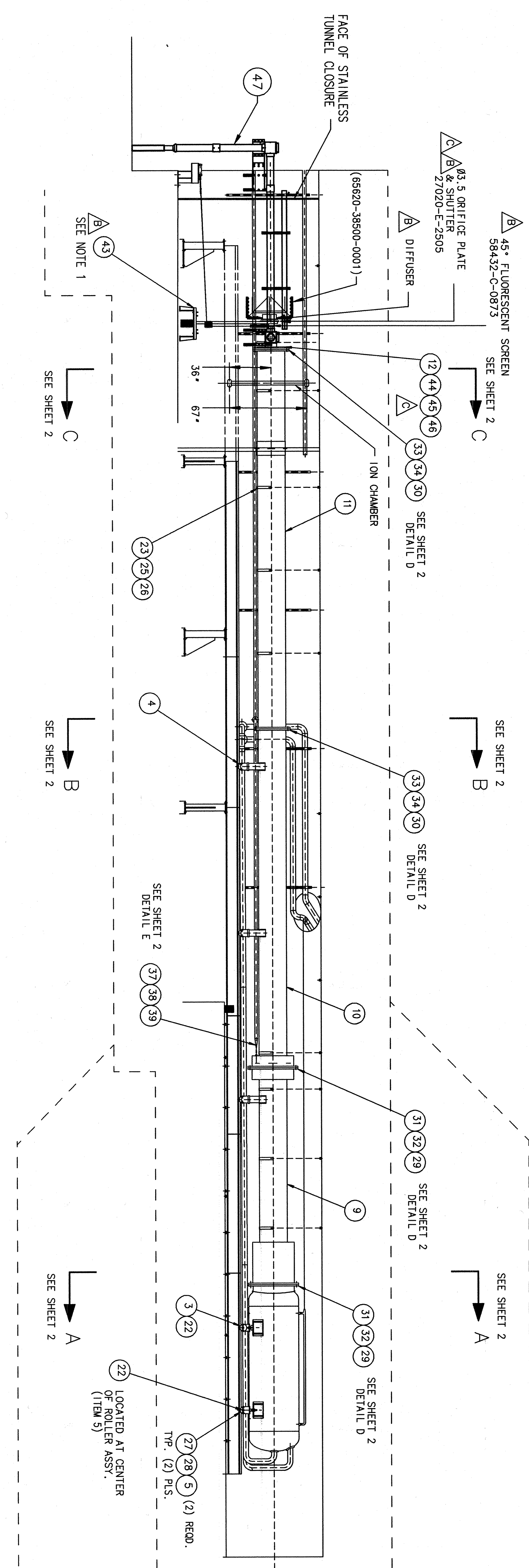
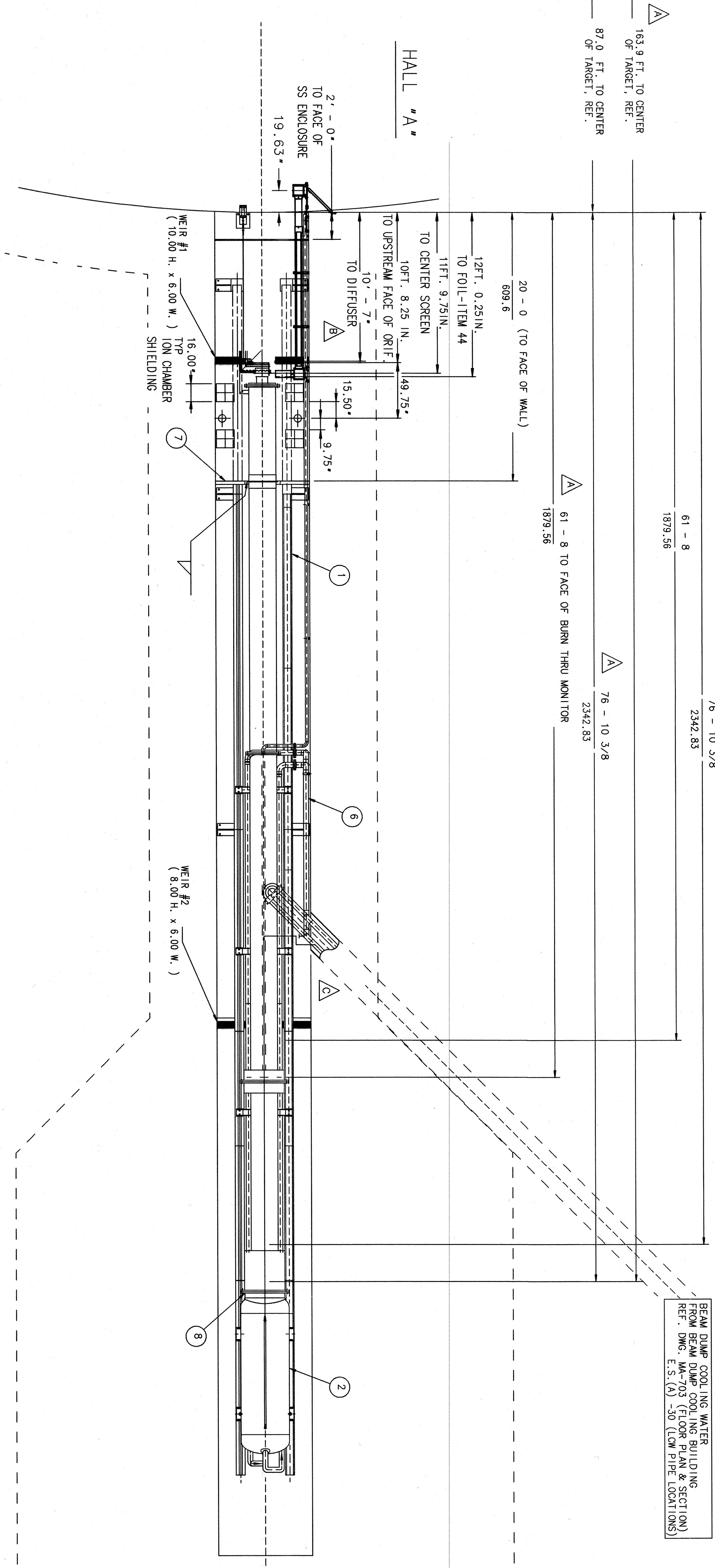
163.9 FT. TO CENTER OF TARGET, REF.
87.0 FT. TO CENTER OF TARGET, REF.

61 - 8
1879.56

76 - 10 3/8
2342.83

61 - 8 TO FACE OF BURN THRU MONITOR
1879.56

BEAM DUMP COOLING WATER FROM BEAM DUMP COOLING BUILDING REF. DWG. MA-703 (FLOOR PLAN & SECTION) E.S. (A) -30 (LOW PIPE LOCATIONS)



- NOTES:
- ELEVATION FLOOR PROFILE VARIES 2.57 IN TO 4.89 INCHES BELOW FLOOR REFERENCE HEIGHT (SECTION A-A & C-C). USE MEMO OF 08JUN93, RAIL ALIGNMENT FOR ACCURATE PROFILE. RAIL HEIGHT RELATIVE TO BEAMLINE IS AN ALIGNED DIMENSION. 10 X 8 1/4" BEAMS SHOWN, 12 X 7 1/4" BEAMS USED (ITEM #1).
 - SANDWICH FOLIUM, ITEM 44, BETWEEN FLANGE ON ITEM 12 AND CLAMP FLANGE, ITEM 45 USING ITEM 46.

ZONE	REV	DESCRIPTION	DATE	APPROVED
5, 6, 7/8	A	DECREASED BY 33.0 INCHES, BURN THRU MONITOR AND BEAM DUMP FACE DIMENSIONS, AND O.A.L. OF ITEM 11	27APR97	M. Wiseman
	B	ADD #3.5 ORIFICE PLATE & SUPPLY NO. 1 MOVE WEIR UPBEAM, ADD REF DIM TO FLOOR TO FLOOR ITEM 43 & BEAM DIRECTION (SHT 2)	03NOV00	C. MURRAY LADT
	C	DWG. NO. WAS 77020-C-2500--ADDED SHUTTER TO ASSY OF ORIFICE PLATE--ITEM 12 WAS 27020-D-0055--ADDED ITEM 47, & 46. ADDED NOTE 2. ADDED ITEM 47. cmm 00T03	1/7/04	LA DT M. WISSEMAN
	D	ADDED ITEM 47, ADDED ION CHAMBERS AND SHIELDING, REVISED VENT LINE, cjh DEC03	1/7/04	M. BEVINS
	GEN	MODIFIED ITEM 47 TO REFLECT NEW CONFIGURATION. cjh 11aug04	8/3/04	

DOCUMENT CONTROL SYMBOL

100%

THIRD ANGLE PROJECTION

DO NOT SCALE DRAWING

APPROVALS	DATE
BRANK, K. H. SMITH	9-22-95
APPROVED	DATE
M. WISSEMAN	9-27-03
APPROVED	DATE
C.A. SWANER	9-27-95

THOMSON ELECTRONICS CORPORATION
27020-E-0138
GENERAL ARRANGEMENT
BEAM DUMP

SHEET 1 OF 2