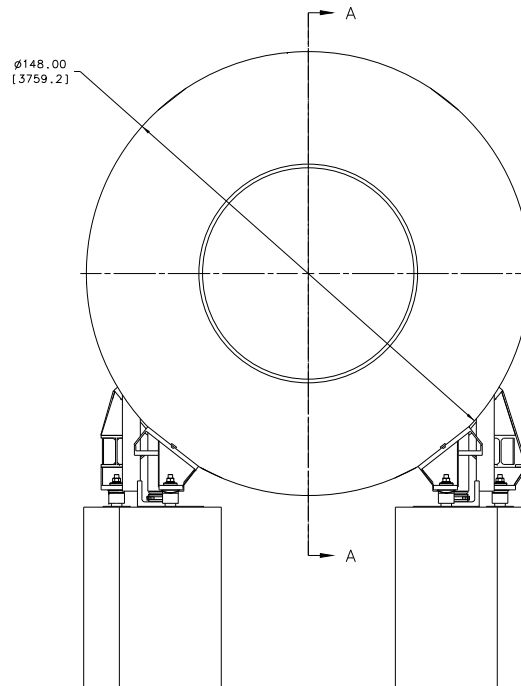
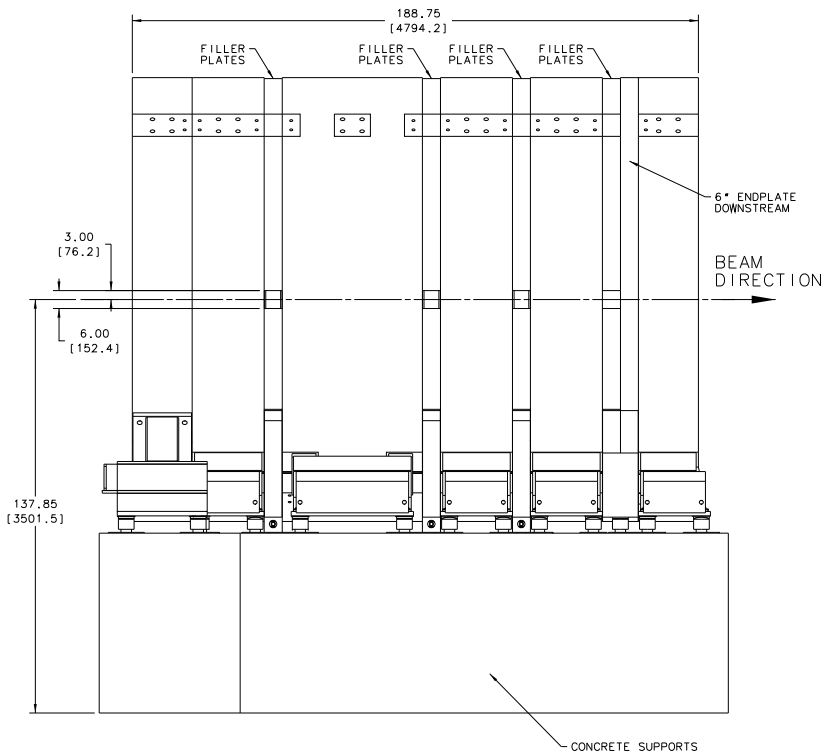
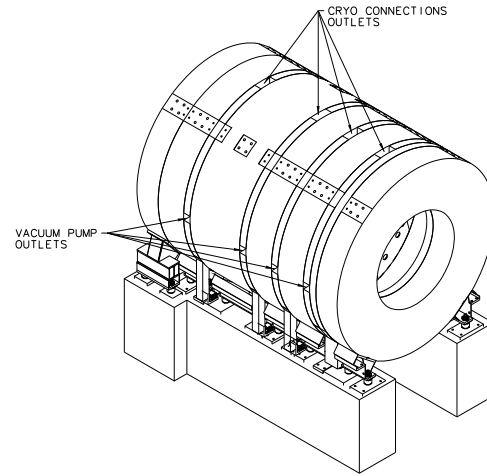
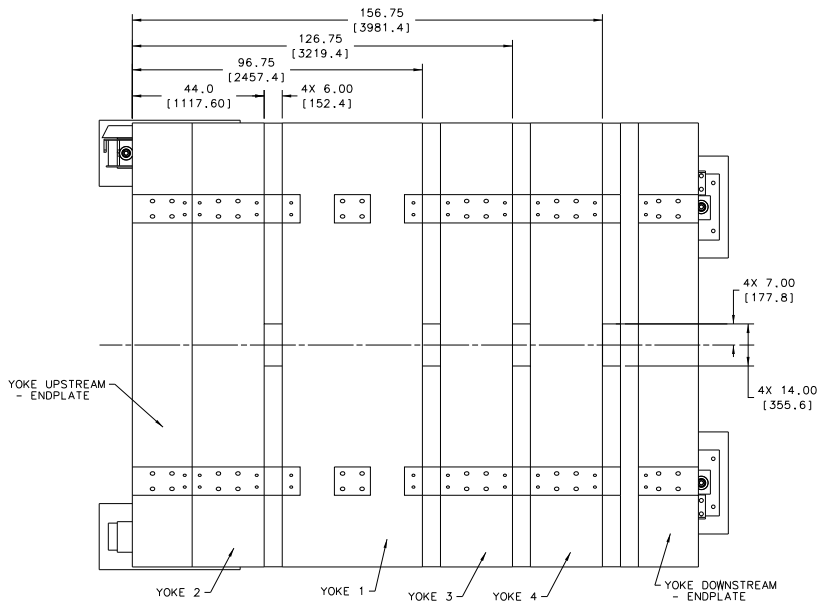


REVISION HISTORY				
ZONE	REV	DESCRIPTION	DATE	APPROVED



NOTES:  
1. SOLENOID YOKES -1010 STEEL ANNEALED AT 1500° F.

DOCUMENT CONTROL STAMP		EACH SHEET OF MULTI-SHEET DRAWINGS SHALL ALWAYS HAVE THE SAME REVISION LEVEL.															
MATERIAL	SEE PARTS LIST	THIRD ANGLE PROJECTION	<table border="1"> <tr> <td>TRACKING NO.</td> <td>N/A</td> </tr> <tr> <td>APPROVALS</td> <td>DATE</td> </tr> <tr> <td>DESIGNED</td> <td>C. L. HUTTON</td> </tr> <tr> <td>DRAWN</td> <td>200210</td> </tr> <tr> <td>CHECKED</td> <td></td> </tr> <tr> <td>APPROVED</td> <td></td> </tr> <tr> <td>DATE</td> <td>1/16</td> </tr> </table>	TRACKING NO.	N/A	APPROVALS	DATE	DESIGNED	C. L. HUTTON	DRAWN	200210	CHECKED		APPROVED		DATE	1/16
TRACKING NO.	N/A																
APPROVALS	DATE																
DESIGNED	C. L. HUTTON																
DRAWN	200210																
CHECKED																	
APPROVED																	
DATE	1/16																
FINISH: 120 UNLESS OTHERWISE NOTED SURFACES TO BE POLISHED TO 1.000 DO NOT SCALE DRAWING		TITLE: HALL D - GLUEX MAGNET SOLENOID REPLACEMENT SOLENOID INTERFACE DRAWING NO.: 000000-04-02-3000 SHEET 1 OF 2															