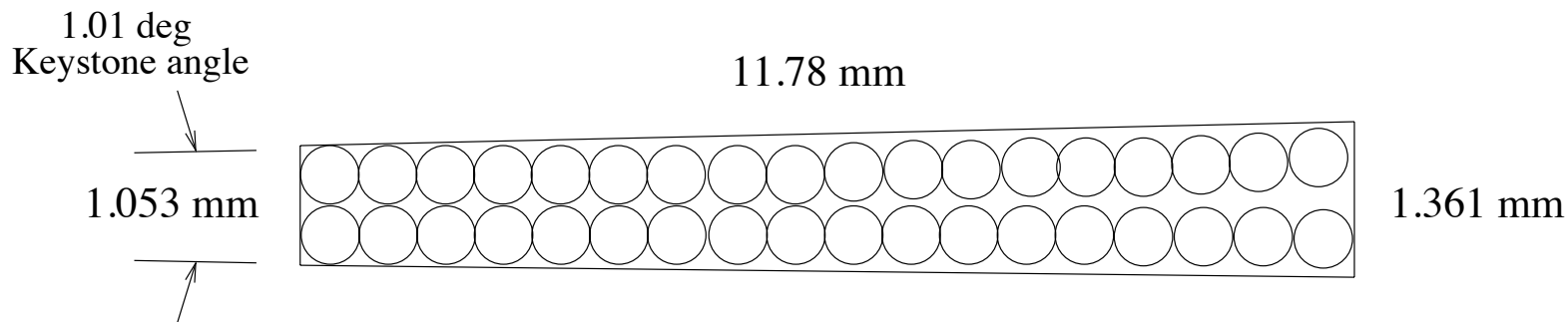


a) SSC superconductor



b) Concept for conductor after processing and insulation

